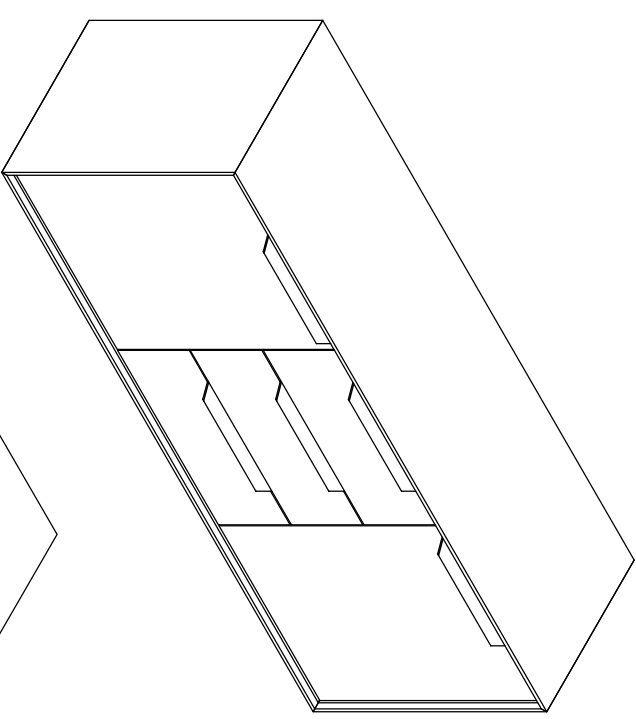
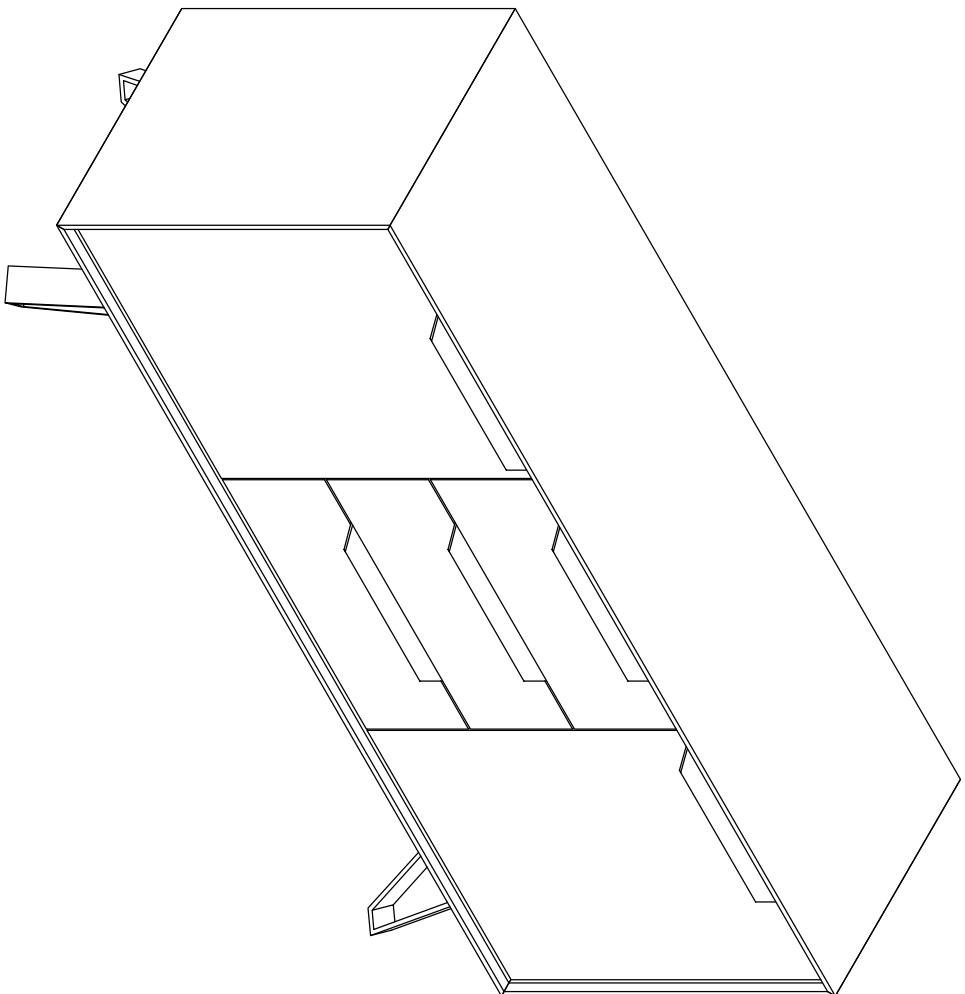

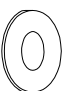

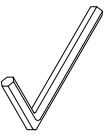
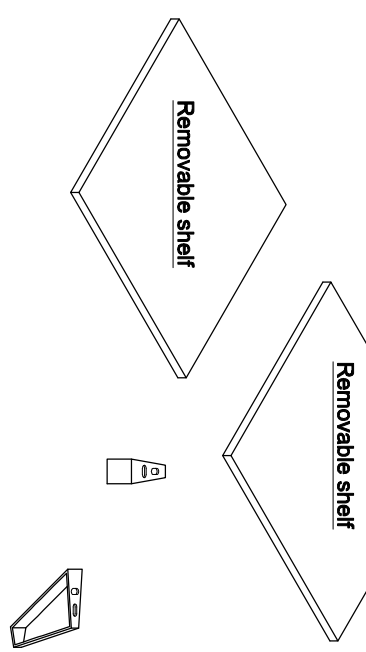


ASSEMBLY INSTRUCTION

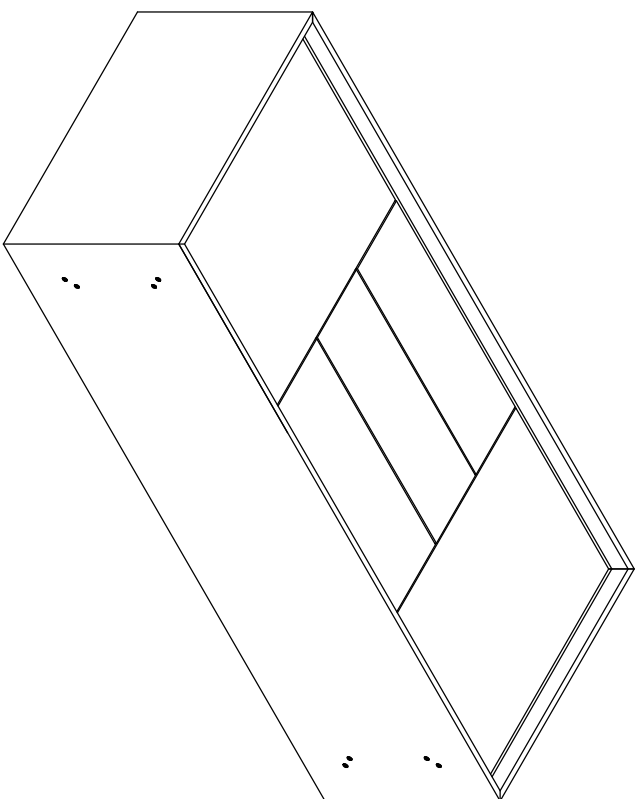
GRAND - SIDEBOARD



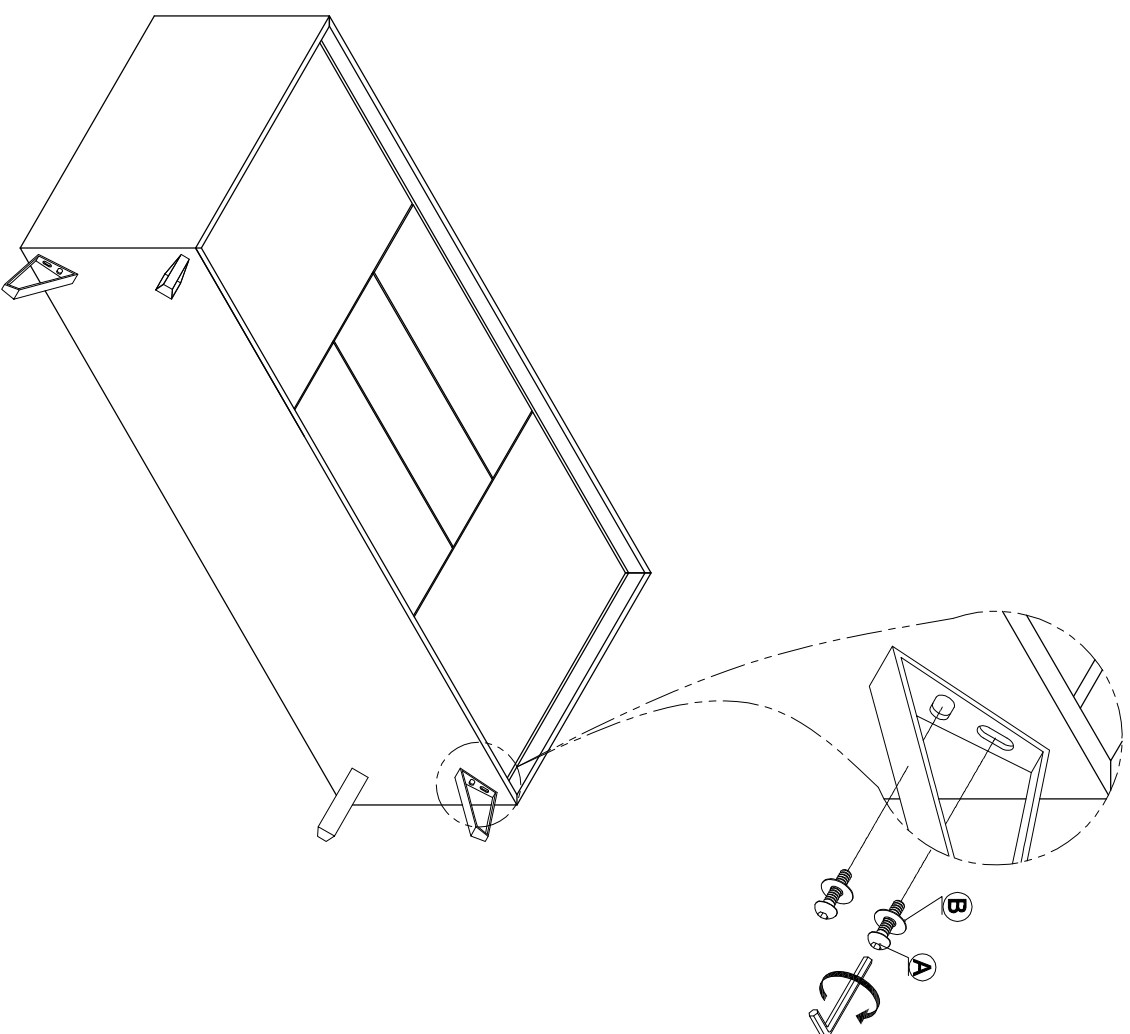
| | | |
|--|---|---|
| <p>HARDWARE</p>  <p>A x 8 (M8 x 20)</p> |   <p>B x 8 WASHER (Øx20)</p> <p>C x 8</p> |  <p>ALLEN KEY 5 FOR M8</p> |
|--|---|---|



STEP 1



STEP 2



STEP 3

