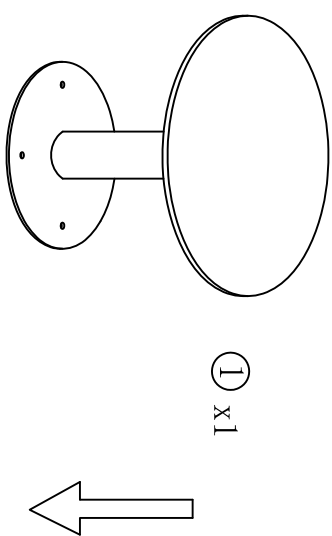


MD425 Assembly Instructions

1:



① x1

③ x4 M6*20



④ x4 M8*ø16*2

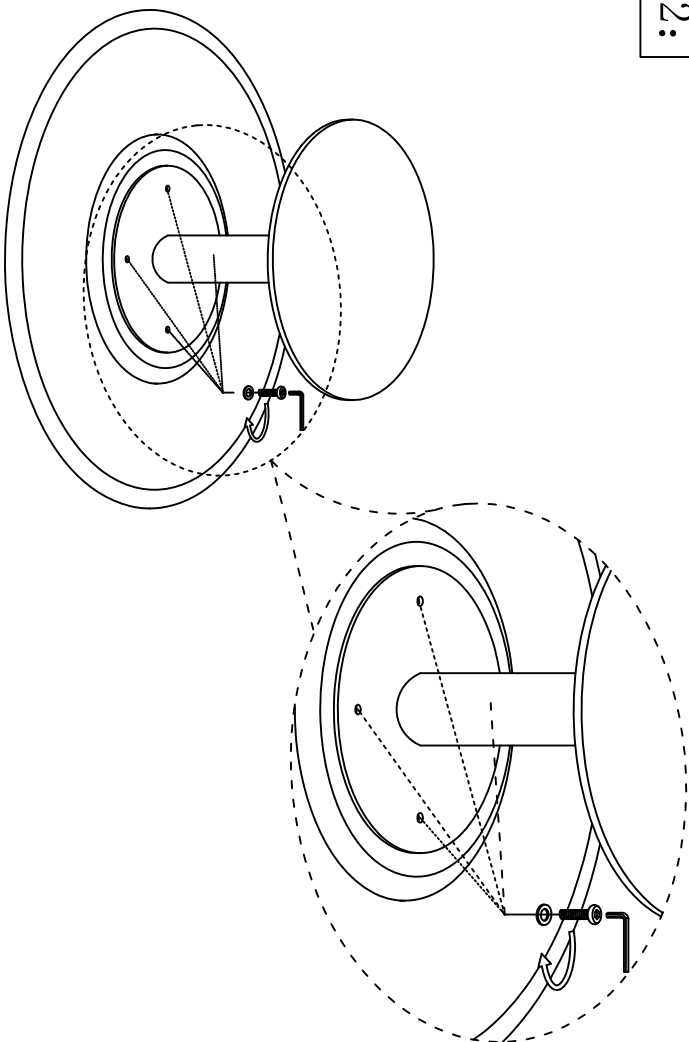


⑤ x1 M4

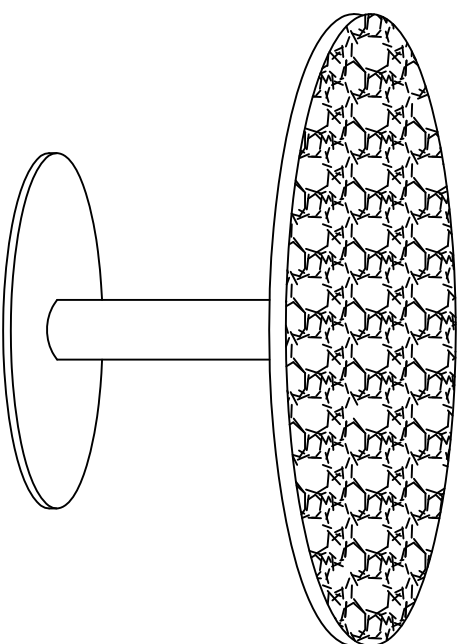


② x1

2:



3:



② x1