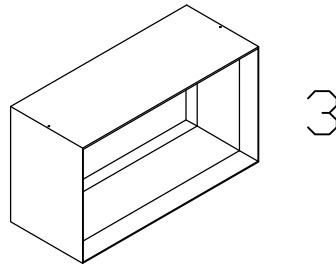
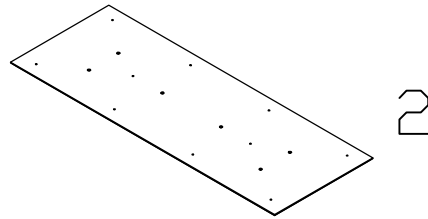
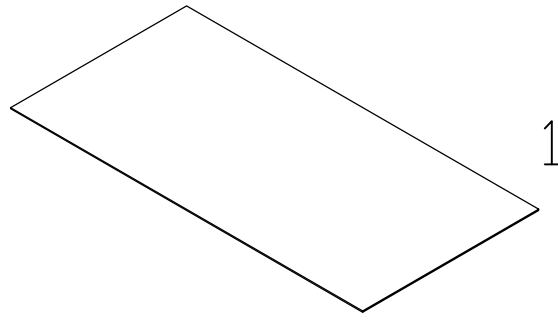


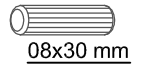
# PARTS



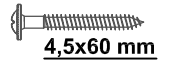
**MODLOFT**®

1810 NE 144 ST • NORTH MIAMI, FL • 33181  
MODLOFT.COM

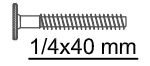
**A**



**B**



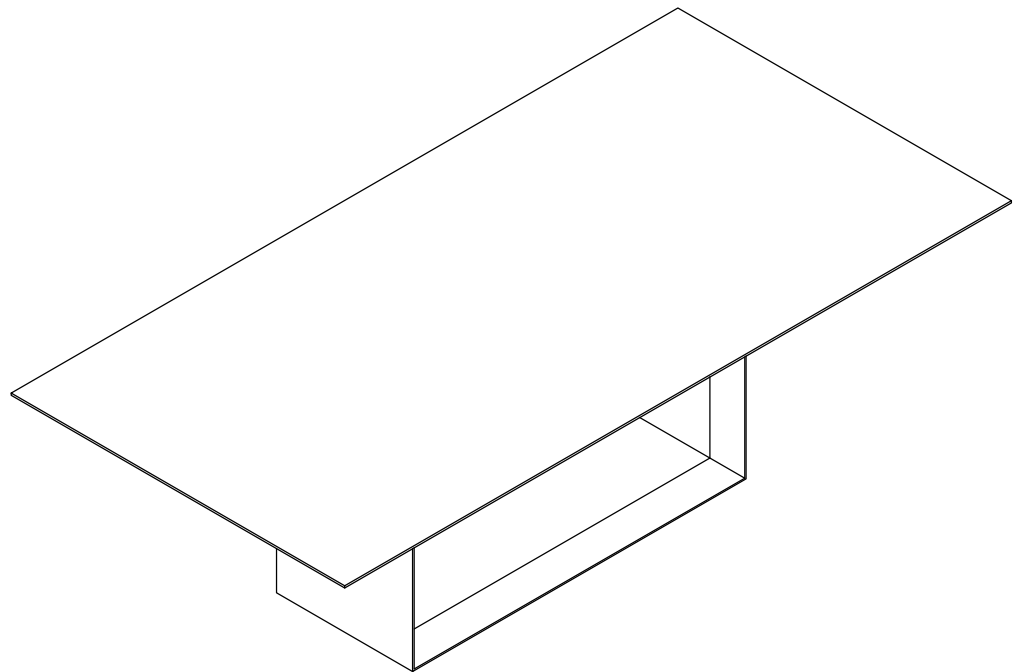
**C**

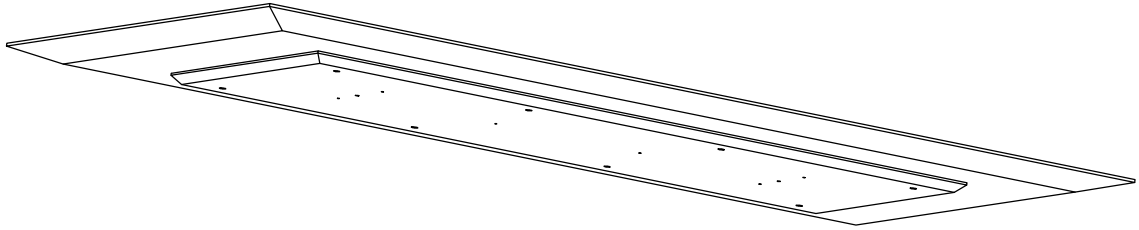


**D**

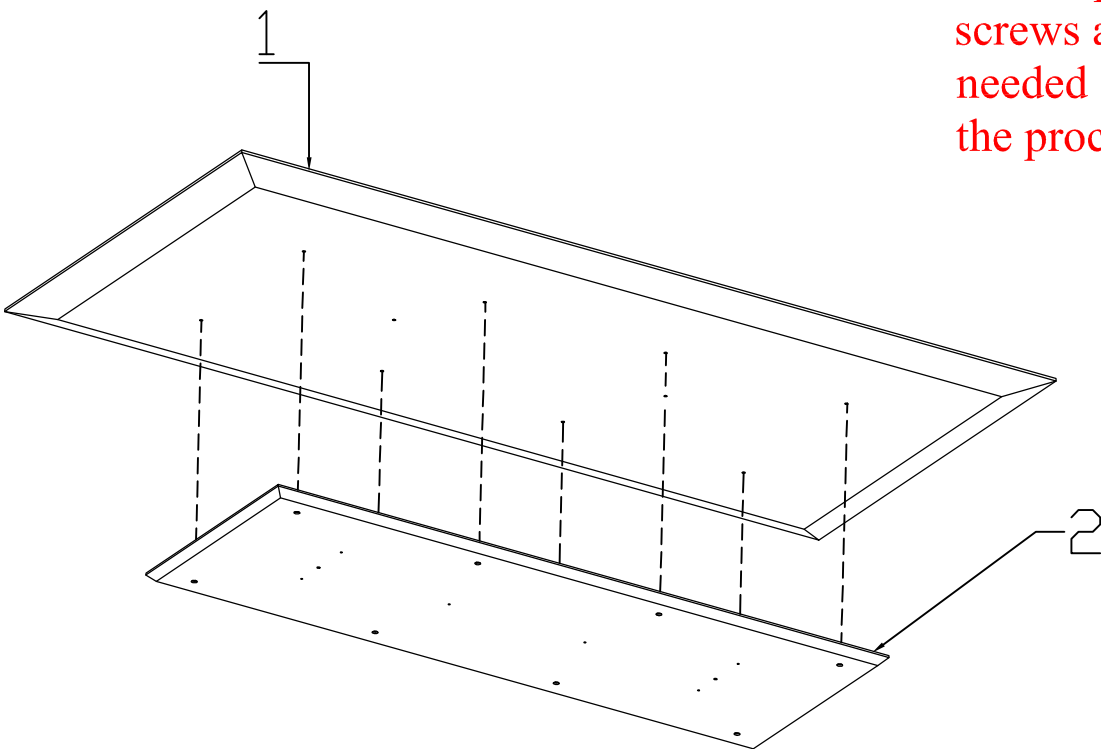


# GREENWICH DINING TABLE

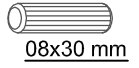




Unscrew the inset from the table top, the screws are needed further in the process.

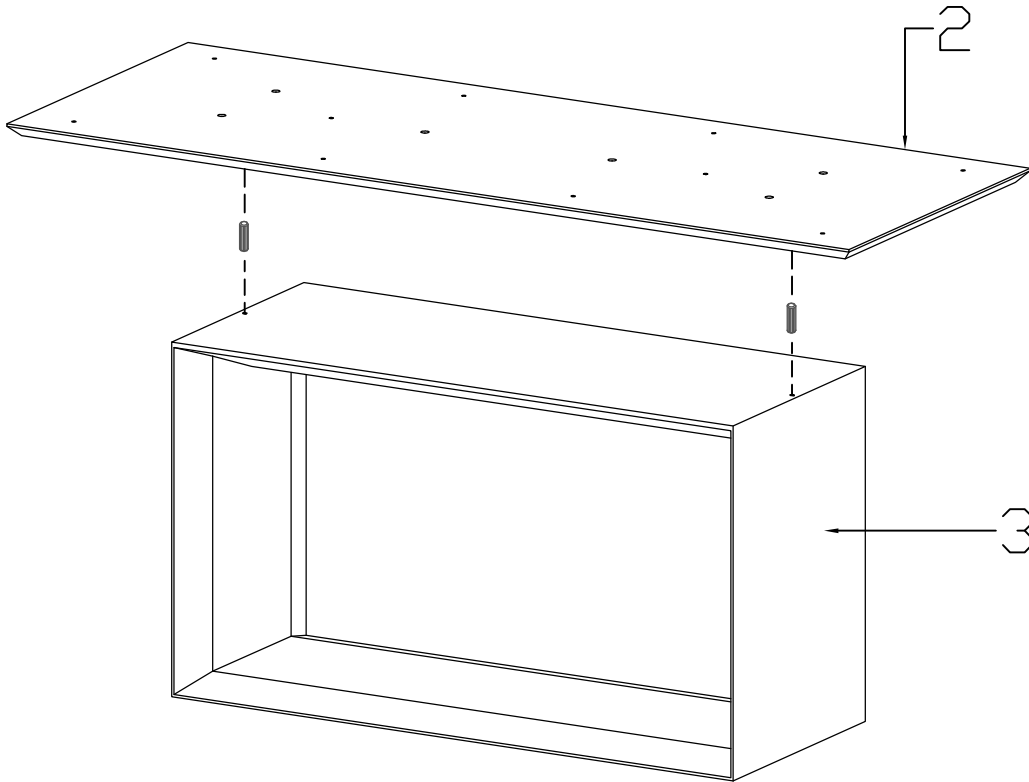


A

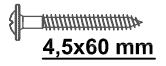


08x30 mm

02

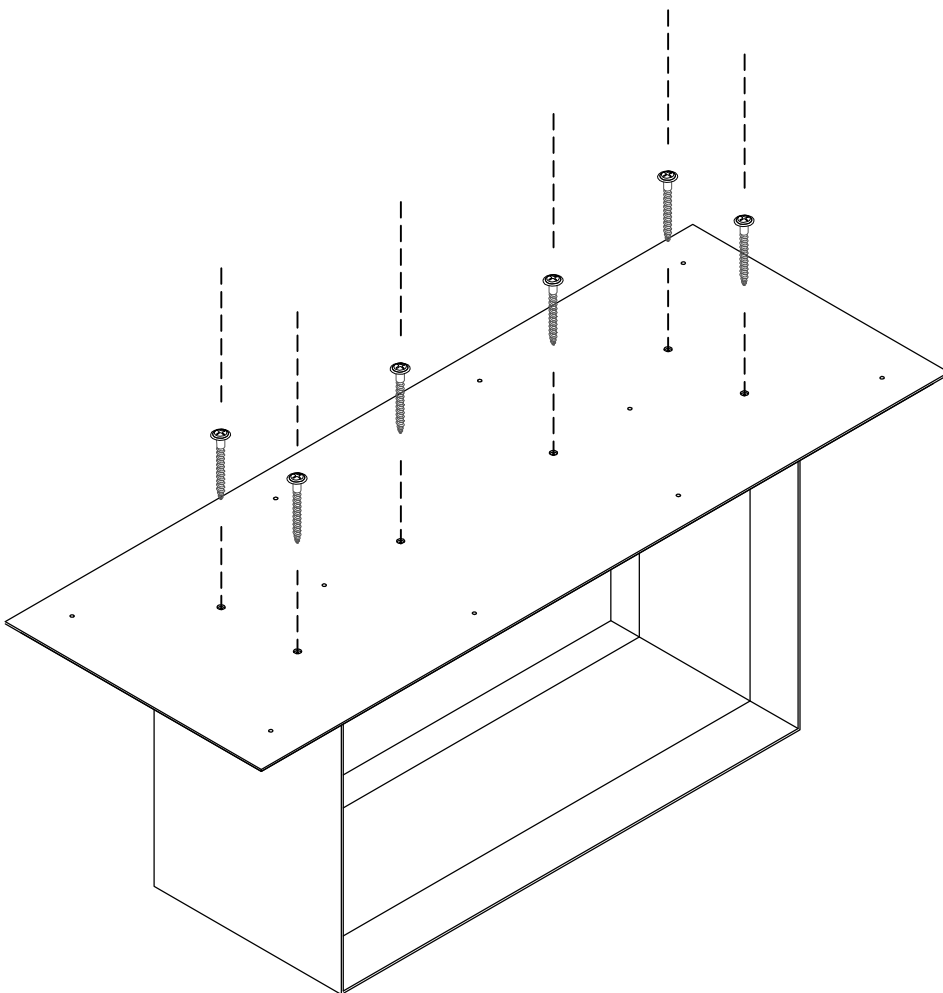


B

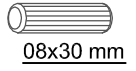


4,5x60 mm

06

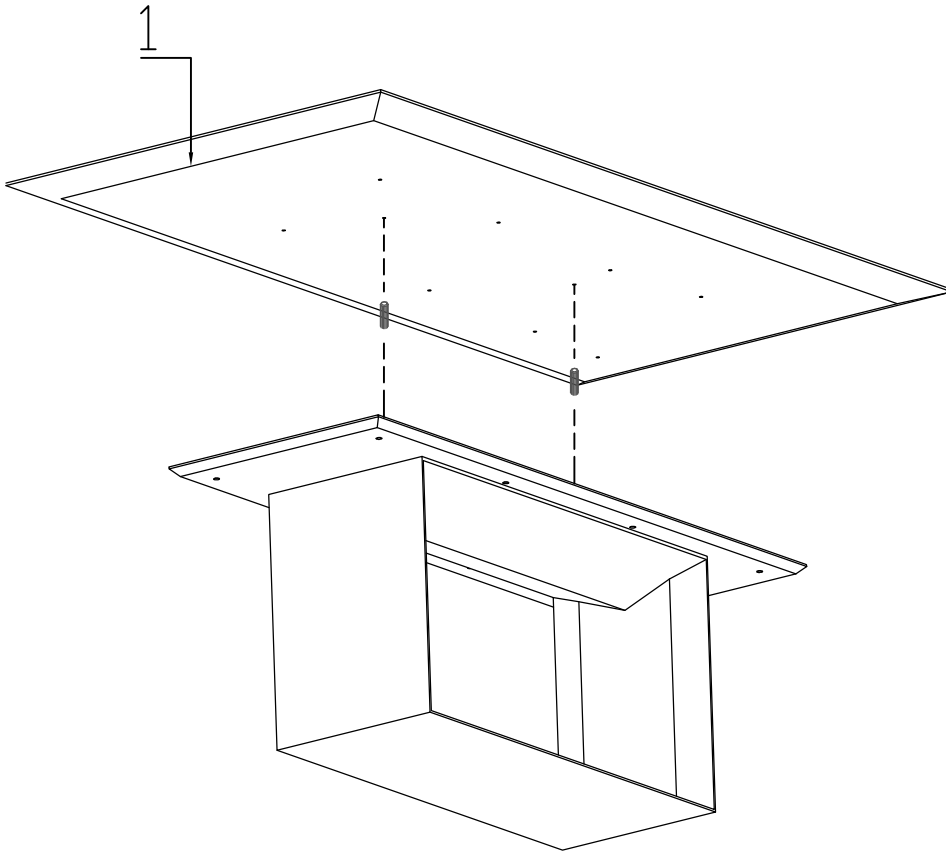


A

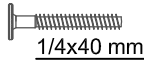


08x30 mm

02



C



1/4x40 mm

08

