

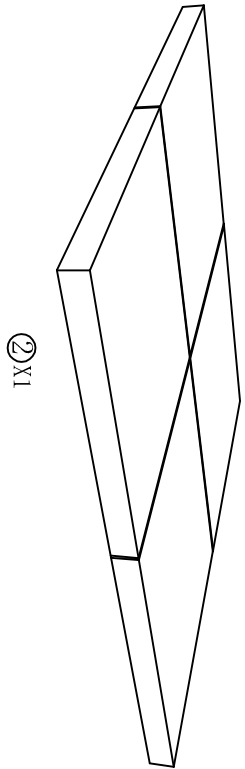
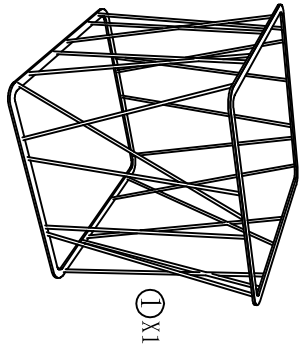


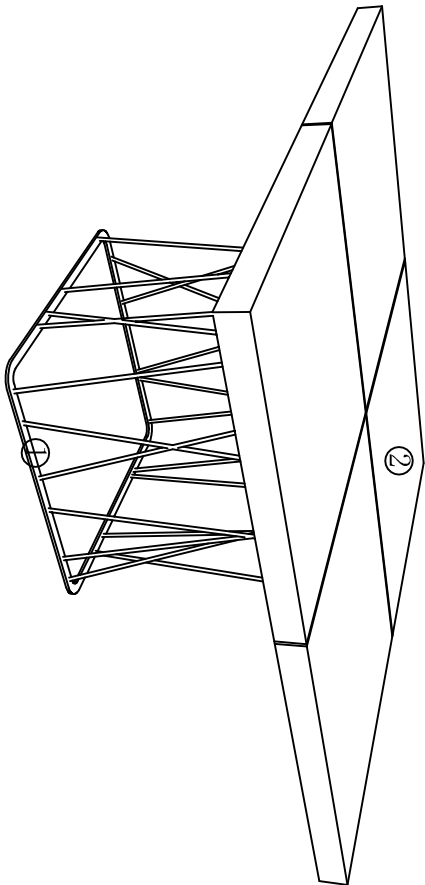
MJK169 Assembly Instructions

Parts

 ③ X4 M8*25
 ④ X1 5mm



2:



1:

